

WORKPLAN AND BUDGET FOR THE SPECIALLY PROTECTED AREAS AND WILDLIFE (SPA) SUBPROGRAMME FOR THE 2021 - 2022 BIENNIUM UNEP(DEPI)/CAR WG.42/3 Rev.1

Ileana Catalina Lopez
Biodiversity Programme Officer



Celebrating 35 years since the entry into force of the Cartagena Convention.



11th Conference of Contracting Parties to the Protocol Concerning Specially Protected Areas and Wildlife
Virtual Meeting. 27th July 2021



5 Mayor Areas 2021-2022

1. Programme Coordination
2. Strengthening of Protected Areas in the Wider Caribbean Region
3. Development of Guidelines for the Management of Protected Areas and Species
4. Conservation of Threatened and Endangered Species
5. Conservation and Sustainable Use of Coastal and Marine Ecosystems

WORKPLAN AND BUDGET MEETING DATES

2021



01

March 19, 2021

SPAW STAC-9



02

June 21, 2021

Pre-COP



03

June 29, 2021

Working Group



04

July 2, 2021

Working Group

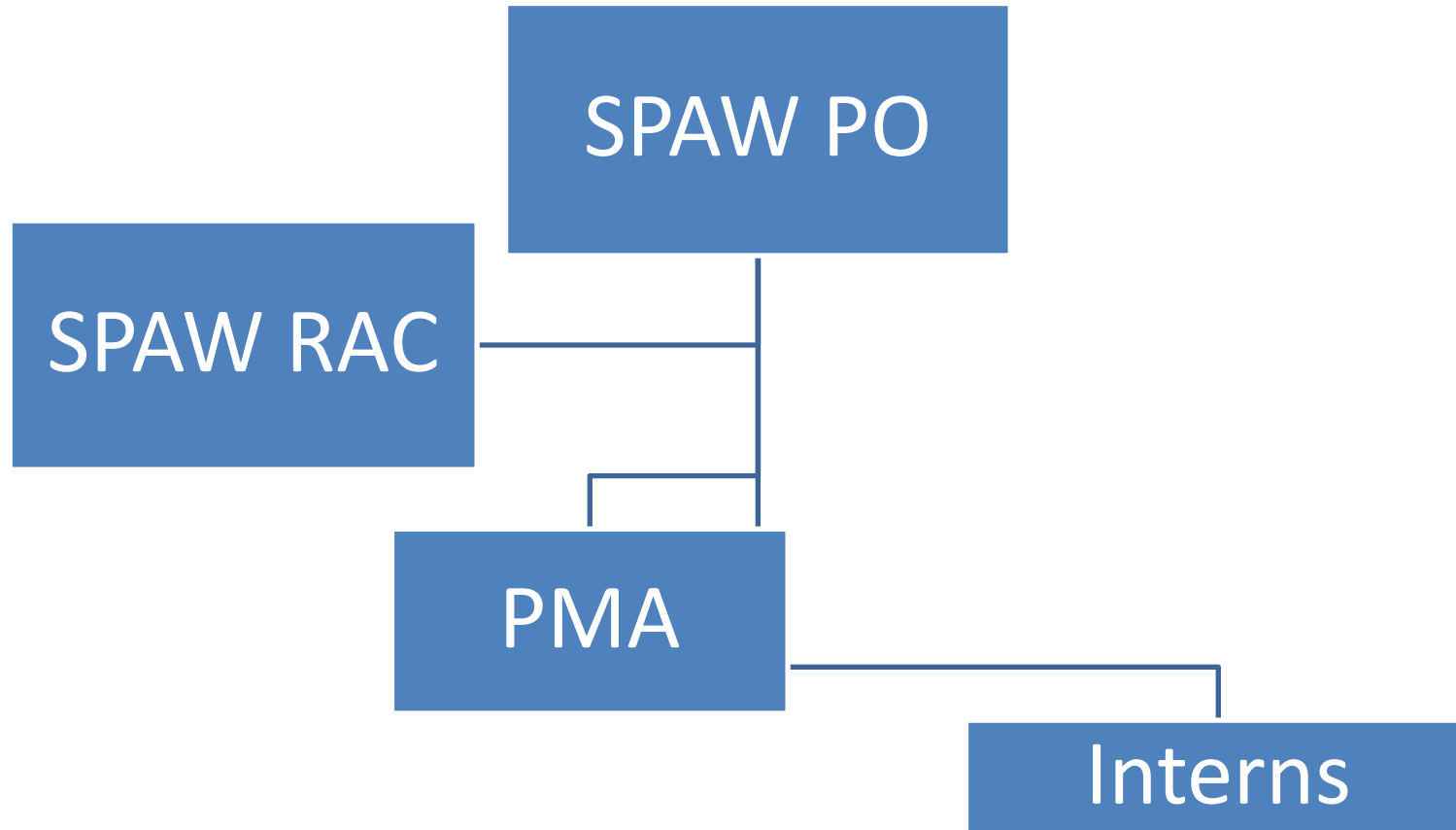


05

July 7, 2021

Monthly Meeting

Personnel



1. Programme Coordination



Promote Ratification

Increased Collaboration and Communication

Improve MPA Regional Coordination

Coordination

Articles: 3, 4, 5, 6, 7, 9, 10, 11, 16, 17, 18, 21,

The major outputs and indicators of achievement under this sub-programme will be:

Outputs	Indicators of Achievement
Eleventh meeting of the SPAW Contracting Parties convened (COP11)	<ul style="list-style-type: none">• Successful convening of the meetings with appropriate decisions and recommendations made that will support the protection of important coastal and marine habitats and threatened species of wild fauna and flora• Comprehensive Workplan developed that includes sustainable activities to meet SPAW objectives• Increased number of regional and international collaborations and initiatives developed that facilitate
Ninth meeting of the SPAW Scientific and Technical Advisory Committee convened (STAC9)	
A strategic and streamlined 2023-2024 SPAW Workplan developed	
Funds raised in support of SPAW objectives	
Enhanced participation of donors and relevant funding agencies in SPAW activities	



Programme Coordination

2021-2022 Workplan of Activities

- (a) Coordination with relevant programmes, donors and organizations to develop synergies and collaboration;
- (b) Support implementation of existing Memoranda of Understandings (MoUs) and of collaborative arrangements with relevant MEAs and initiatives
- (c) Joint programming with SPAW RAC

2021-2022 Workplan Activities



- Convene **STAC-9**, STAC 10 and **COP 11**
- 2023-2024 SPAW Workplan developed
- Funds raised
- Enhanced participation of donors



Programme Coordination

Activity / Year	2021	2022
Salaries (Programme Officer & Assistant) and supporting costs	740,00	570,000
COP12 and STAC10	30,000	45,000
Total	770,000	615,000

2. Strengthening of Protected Areas

Enhance Management Effectiveness

Capacity Building

MPAs Financing

CaMPAM: Small Grants, synergies, ecological network

The major outputs and indicators of achievement under this sub-programme will be:

Outputs	Indicators of Achievement
Improved CaMPAM delivery and management capacity in several MPAs of the WCR through the hosting of the ToT course, the mentorship programmes, and grant funding	Increased number of MPA practitioners involved in capacity building and training programmes designed to improve their ability to respond to management issues and emerging environmental threats in marine and coastal areas
Improved dissemination of information on MPAs within the region through the updated CaMPAM website and regional database and enhanced network forum	Increased number of MPA practitioners, policy makers, scientists and other stakeholders engaging with, and contributing to, the CaMPAM internet forum and MPA database, as well as other regional and international initiatives that facilitate information sharing

Outputs	Indicators of Achievement
Stronger relationships and collaborations between MPA practitioners, scientists, fishers, other stakeholders, as well as with international/regional experts	Increased numbers participating in activities designed to support and strengthen PA management throughout the WCR

ACP MEAs Phase III

Result 2.2 Functional Network(s) of SPAW-listed Protected Areas covering interconnected marine habitats and ecosystems for restoring and sustaining the health of the oceans.

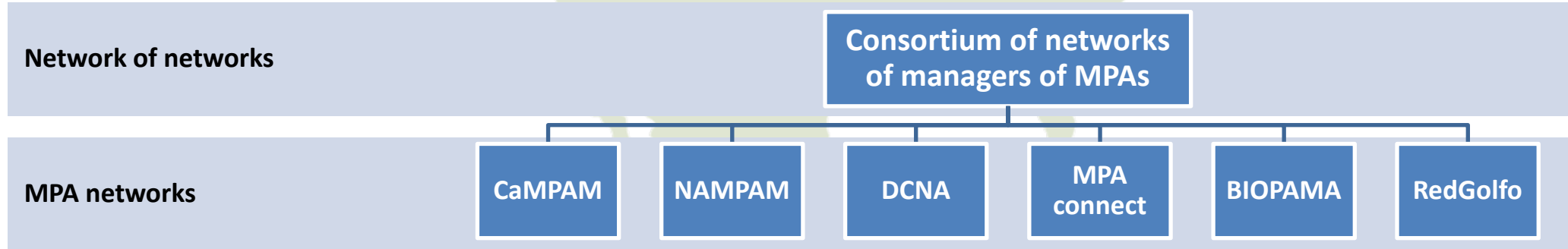


An initiative of the African, Caribbean
and Pacific Group of States funded by
the European Union

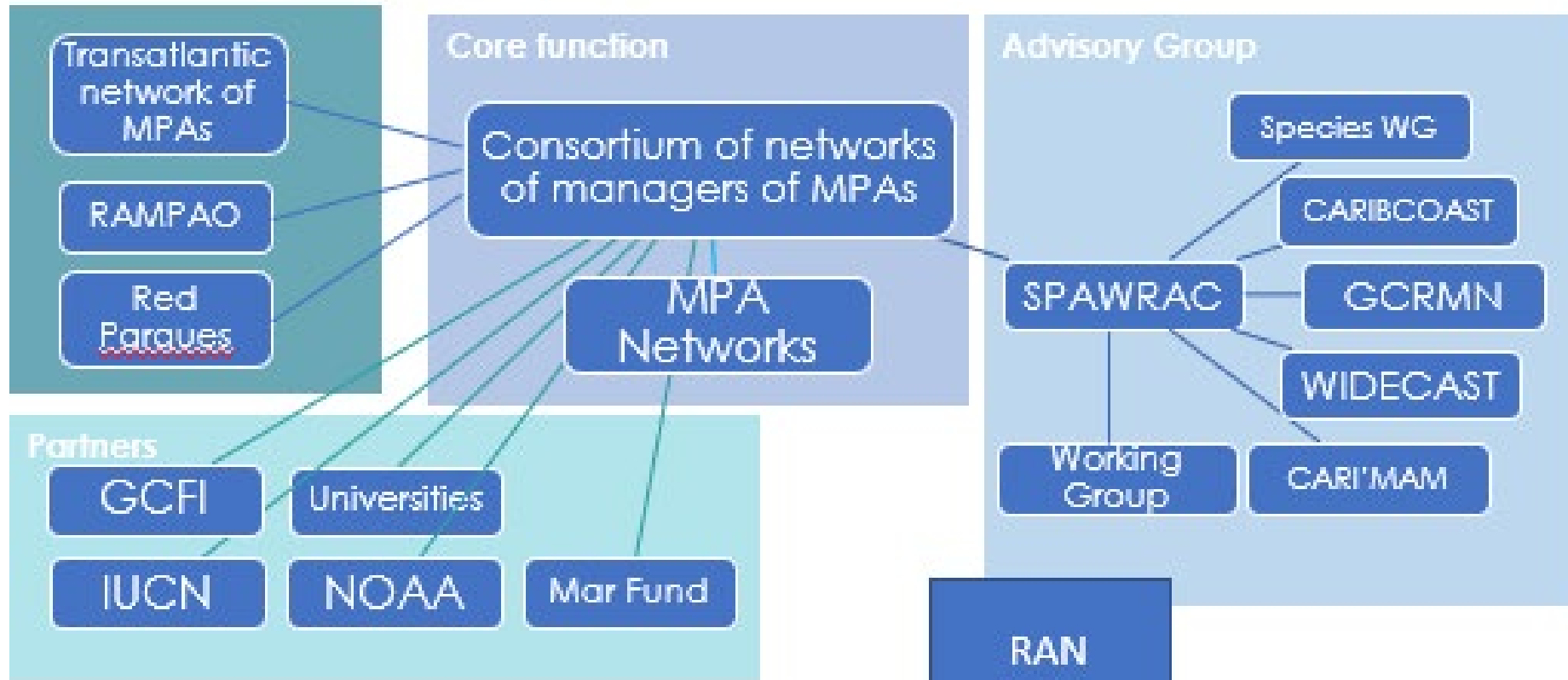


ACP MEAs 3

The networks



SPAWRAC and MPA networks, projects and RAN



Collaborations and synergies with relevant organizations and initiatives within and outside the region



Our Gallery of MPA sponsors 2021-2022

Ongoing Projects



Strengthening of Protected Areas in the Wider Caribbean Region



MPA list

Species Annexes

Voluntary exemptions report

Strengthening of Protected Areas

Activity / Year	2021	2022
CaMPAM Coordination and Travel	66,894	18,321
Capacity Development ToT	25,000	115,465
Small Grants and DSS demonstration pilots and mentorship network	90,000	112,356
RAC actions for PAME	24,000	24,000
CaMPAM Website and Forum	1,401	1,401
MPA Sessions at GCFI	6,000	6,000
Regional MPA Database	0	0
Total	213,295	277,543

3. Guidelines for management of Protected Areas and Species

3. Guidelines for management of Protected Areas and Species

Activity / Year	2021	2022
Support cooperation programme of listed MPAs	123,452	100,000
Species listing assessment	0	0
Assist Parties to formulate their exemptions reports	0	0
Exemptions report strategy development	0	0
Total	123,452	100,000

4. Conservation of Threatened and Endangered Species



Celebrating 35 years since the entry into force of the Cartagena Convention.



4. Conservation of Threatened and Endangered Species



Marine Mammals

Sea Turtles

Invasive Species

Stony Coral Tissue Lost Disease
Sargassum

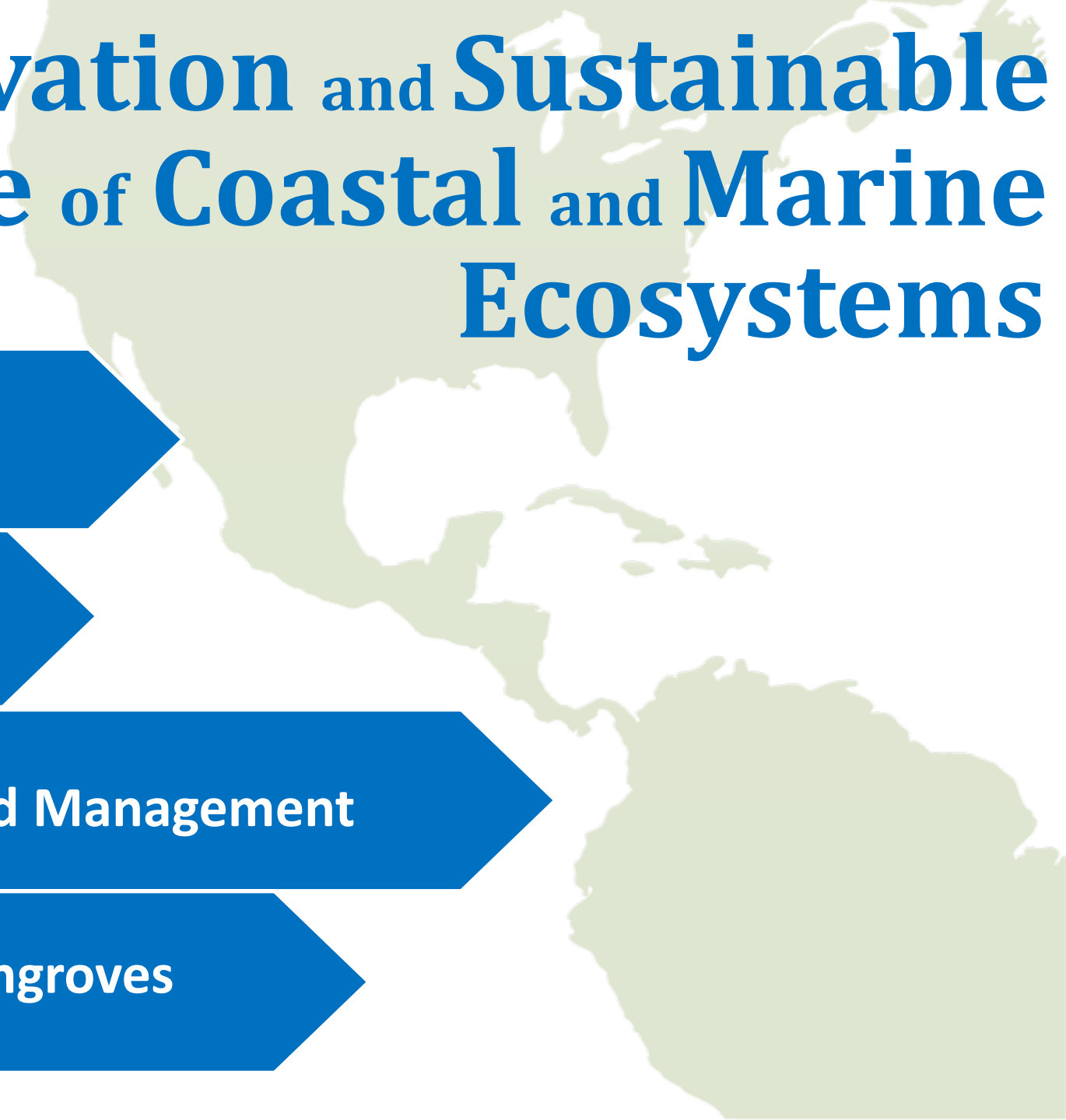
Sharks and rays

Mangroves, Corals and Seagrasses

Conservation of Species

Activity / Year	2021	2022
Marine mammals' education and awareness	0	0
Implementation of the CARI'MAM Project	170,000	0
Implementation of Marine Mammals Projects (to be confirmed) ¹	0	70,000
Call for proposals for species conservation	50,000	50,000
Support to the Regional Lionfish Committee	0	0
Data Sharing and Research on Sargassum	5,000	50,000
Total	225,00	120,000

5. Conservation and Sustainable Use of Coastal and Marine Ecosystems



Coral Reefs

Sargassum

Ecosystem Based Management

Wetlands & Mangroves

Projects Work Plan Distribution

	2021	2022		2023		2024	
Swedish Funds	Green						
GEF CLME +	Green						
ACP MEAs III	Green	Green	Green	Green	Green	Green	Green
CARIBCOAST	Red						
CARI'MAM	Red						
GEF GoM		Yellow	Yellow	Yellow	Yellow	Yellow	Yellow
GEF PROCaribe				Yellow	Yellow	Yellow	Yellow

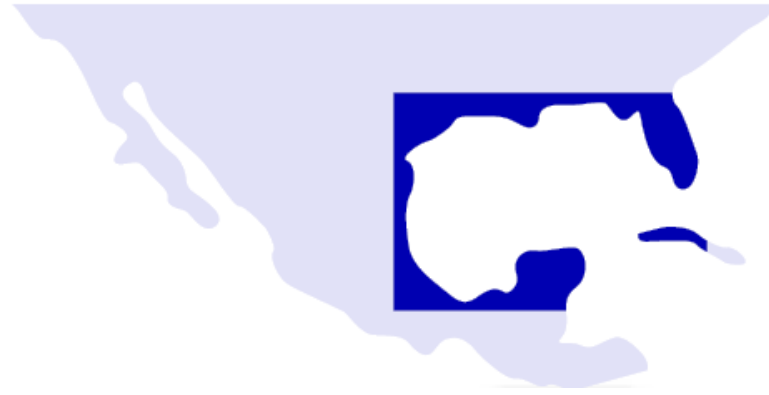
Harnessing a Movement in the Caribbean: *Advancing Coral Reef Restoration with Tourism Leaders*

By working closely with the tourism industry create guidelines to restore reefs, identify pilot projects and capacity building opportunities across the region.



CARIBBEAN
HOTEL & TOURISM
ASSOCIATION

GULF OF MEXICO LME



 **CLME+ Project**
Caribbean & North Brazil Shelf Large Marine Ecosystems

Cartagena Convention pre-COP, 25 June 2021



The Cartagena Convention,
the Ocean Coordination Mechanism
and the new UNDP/GEF PROCARIBE+ Project



In Development

Conservation and Sustainable Use of Coastal and Marine Ecosystems

Activity/Year	2021	2022
Implementation of the GCRMN Caribbean and support to countries monitoring	0	0
Support from Albert II, Prince of Monaco/UNEP	50,000	0
RAC actions for ecosystems conservation (Call for proposals , restoration...)	30,000	30,000
EBM Tool Box Governance	0	0
Support to Regional Seas (Swedish Ministry)	25,000	
CARIB-COAST Implementation	100,000	80,000
Sargassum Project	30,000	0
TOTAL	235,000	110,000

BUDGET OF THE SPAW PROGRAMME FOR THE 2021-2022 BIENNIUM

Activity	2021 Budgeted				2022 Budgeted			
	CTF	Other Contributions*	Total cost	Required Balance**	CTF	Other Contributions*	Total Cost	Required Balance**
2.1 Programme Co-ordination (salary costs and COP and STAC Meetings)	215,000	555,000	770,000	30,000	230,000	385,000	615,000	60,000
2.2 Strengthening of protected areas in the Wider Caribbean Region	0	213,295	213,295	0	0	277,543	277,543	0
2.3 Development of guidelines for management of protected areas and species	0	123,452	123,452	0	0	100,000	100,000	100,000
2.4 Conservation of threatened and endangered species	0	225,000	225,000	5,000	0	120,000	120,000	50,000
2.5 Conservation and sustainable use of coastal and marine ecosystems	0	235,000	235,000	0	0	110,000	110,000	0
Subtotal	215,000	1,351,747	1,566,747	35,000	230,000	992,543	1,222,543	210,000
Programme support costs 13% (amount subject to change based on source of funds)	27,950	175,727	203,677	4,550	29,900	129,031	158,931	27,300
TOTAL SPAW	242,950	1,527,474	1,770,424	39,500	259,900	1,121,574	1,381,474	237,300

*Includes funding from France through SPAW-RAC from the CLME+ Project and the Biodiversity for Sustainable Development in the Caribbean project; and in-kind contributions from SBNMS, the Centre for Coastal Studies and Whale and Dolphin Conservation, the CARI'MAM, CARIB-COAST and new Marine Mammal projects

** Required balance reflects any shortfalls between budgeted Total Cost and expenditure amounts from the CTF + Other Contributions to be calculated at the end of the biennium and reflected in the Status of Activities Report for 2021-2022

THANK YOU / GRACIAS / MERCI

**United Nations Environment Programme
Caribbean Environment Programme
and Cartagena Convention Secretariat**

14-20 Port Royal Street
Kingston, Jamaica, W.I.

<https://www.unenvironment.org/cep/>
unep-cartagenaconvention@un.org